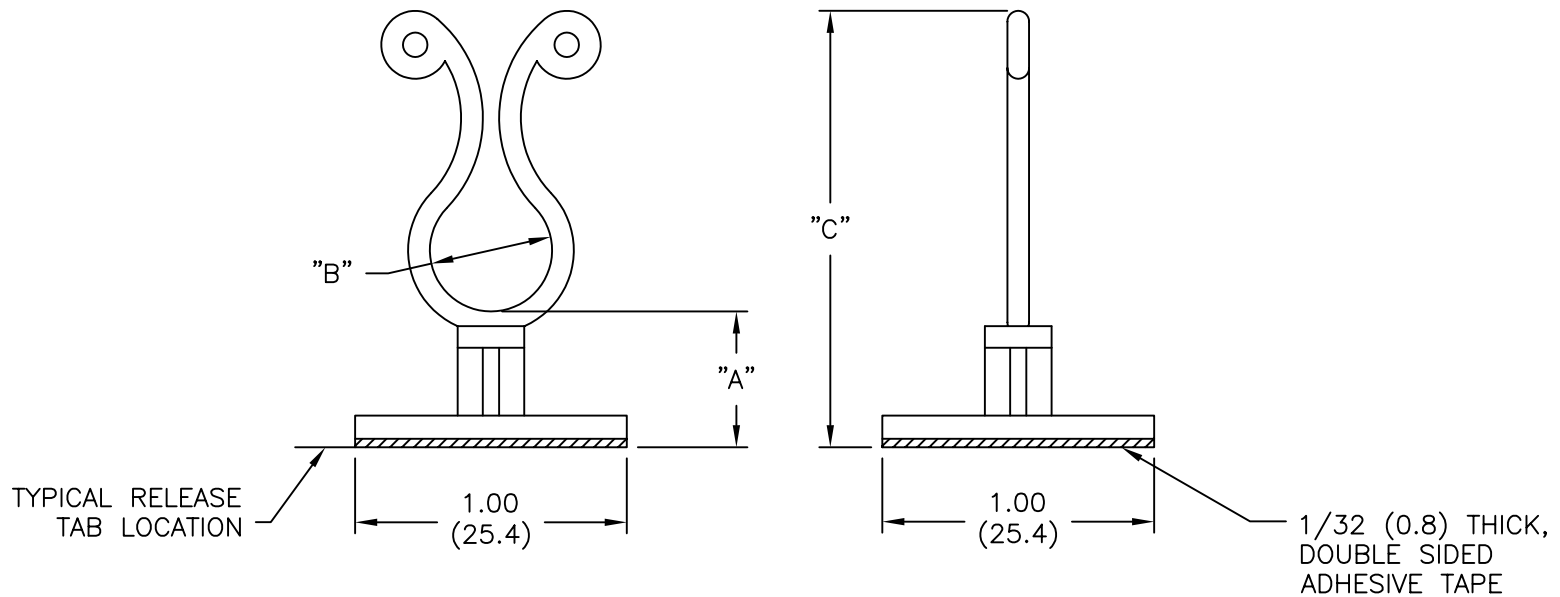


PART NO.	HEIGHT "A" ±.015 (±0.4)	BUNDLE DIA. "B"	"C" REF.
KLBS350-4-01A-RT	1/4 (6.4)	.30-.40 (7.6-10.2)	1-9/32 (32.5)
KLBS350-8-01A-RT	1/2 (12.7)		1-17/32 (38.9)
KLBS350-12-01A-RT	3/4 (19.1)		1-25/32 (45.3)
KLBS350-16-01A-RT	1 (25.4)		2-1/32 (51.6)
KLBS450-4-01A-RT	1/4 (6.4)	.40-.50 (10.2-12.7)	1-15/32 (37.3)
KLBS450-8-01A-RT	1/2 (12.7)		1-23/32 (43.6)
KLBS450-12-01A-RT	3/4 (19.1)		1-31/32 (49.9)
KLBS450-16-01A-RT	1 (25.4)		2-7/32 (56.3)



NOTES:

- MATERIAL: NYLON 6/6 (RMS-01).
FLAME RETARDANT, NYLON (RMS-19),
AVAILABLE BY SPECIAL ORDER ONLY.
- COLOR: NATURAL.
- ACRYLIC ADHESIVE TAPE (RMS-15),
WHITE LINER.

B	ADDED NOTE 3.	SJ 03.13.02
A	CHANGED FILE NO. AND TITLE BLOCK	SM 05.31.01
REV	DESCRIPTION	ENGR DATE

TITLE: KURLY-LOK ON BASE, STANDOFF				DWG IN IN (MM) FINAL			
TOLERANCES UNLESS NOTED .XX=±.010 .XXX=±.005 FRAC=±1/64 ANG=±1°		FILE # KLBS	DWN: J.B.	APP:	PART #		
		MAT'L: SEE NOTES	DT: 01-23-96	DT:	SEE TABLE		
		RE: RICHCO, INC.	RICHCO INC. PO BOX 804238, CHICAGO, 60680 (773) 539-4060		PRINT TYPE CA		